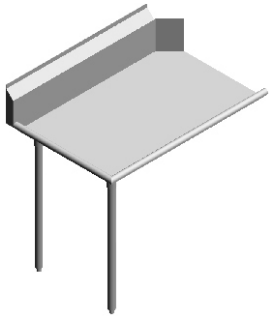


# Dish Table SERIES

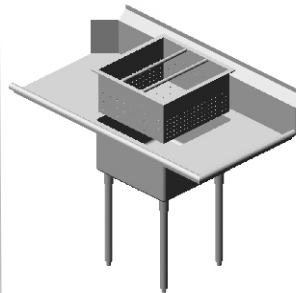
## Models

Revision Oct 2007

### Custom Dish Tables



**Model No. DT3036-C**  
Dish Table Clean Side  
30"(Depth) x 36"(Length)



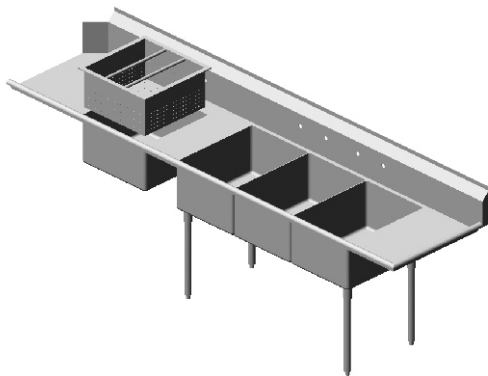
**Model No. DT3036WS1B2020-C**  
Dish Table Soiled Side  
30"(Depth) x 36"(Length)

Scrap Sink Size: 20" x 20"  
w/ Stainless Steel Scrap Basket



\* Other custom sizes are available, please contact factory for options.

### Sink Bowls, Legs, Backsplash & Drainboards: Stainless Steel Finishing.



Dish Table Soiled Side  
3 Compartment Sinks w/ Scrap Sink & Basket

Model No.	Bowl Size	Depth
DT30120WS4B1824-C	18" x 24"	30"
<b>DT30120WS4B2024-C</b>	<b>20" x 24"</b>	<b>30"</b>
DT30120WS4B2424-C	24" x 24"	30"

\* Other custom sizes are available, please contact factory for options.

AllStrong Restaurant Equipment, Inc.  
1839 N Durfee Ave.  
South El Monte, CA 91733  
www.allstrong.com



Due to our continuous product development and improvement,  
specification, material, dimension & price are subject to change without notice.

Tel: (626)448-7878  
(800)933-8913  
Fax: (626)448-7838  
info@allstrong.com