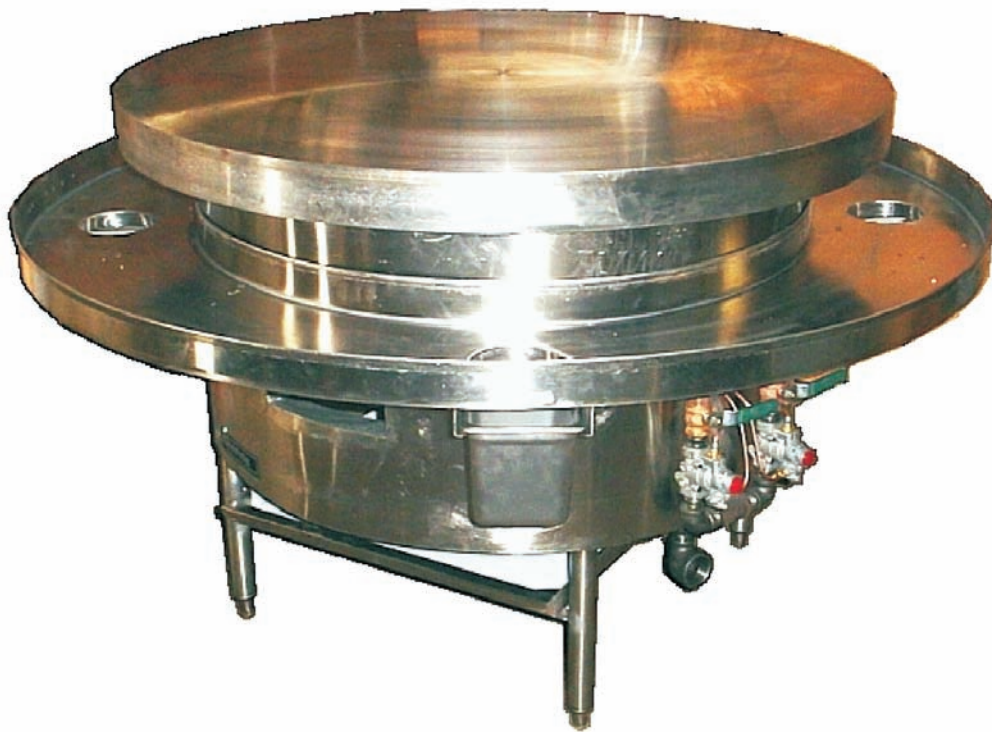


Mongolian B.B.Q. Grill SERIES

Specifications

Revision Oct 2007



Mongolian BBQ Grills

Specifications:

AllStrong custom-designed Mongolian B.B.Q. Grills are engineered to meet Chef's applications in today's unique oriental style of cooking. This unit is built specifically to give the customer the versatility and flexibility to achieve maximum efficiency in daily operation. It is ideal for meats, vegetables, noodles, etc.

The anti-warp steel grill top which is 3/4" in thickness is designed to endure surface temperature up to 650°F with no deformation. Stainless steel constructed exterior body enhances aesthetics and has 2" interior insulation for maximum safety. The scrap ring is made of stainless steel with 2-1/2" flange around the circumference. Four convenient grease trays are located at all quadrants. The two rings duck tip jet burners are spaced equally to provide excellent combustion distribution. Each burner has its safety pilot control. Thermal control is within reach and visible through pre-cut window. The unit is equipped with four adjustable and removable sanitary bullet-type legs for leveling and moving convenience.

AllStrong Restaurant Equipment, Inc.
1839 N Durfee Ave.
South El Monte, CA 91733
www.allstrong.com



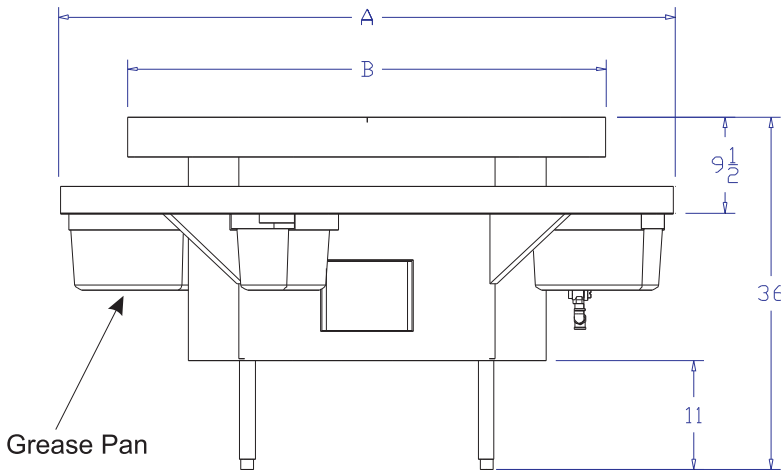
Due to our continuous product development and improvement, specification, material, dimension & price are subject to change without notice.

Tel: (626)448-7878
(800)933-8913
Fax: (626)448-7838
info@allstrong.com

Mongolian B.B.Q. Grill SERIES

Features & Models

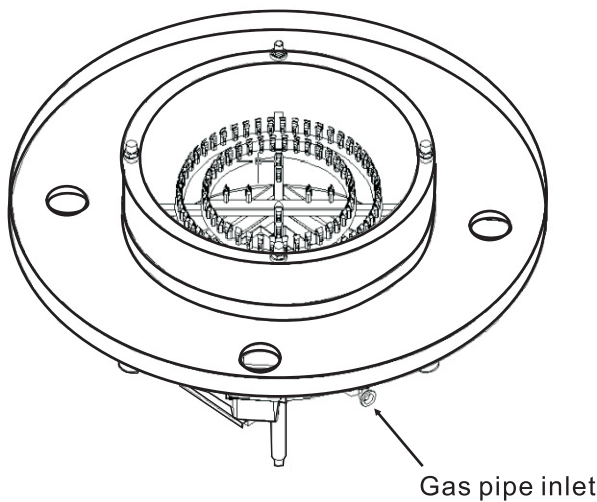
Revision Oct 2007



Standard Features:

- Heavy duty steel grill top
- Stainless steel scrap ring
- Stainless steel legs
- Full size galvanized grease drip pans
- Double wall insulated construction body
- Manual controlled burner
- Standard pilot system

Model No.	A	Cook Top Diameter B	Gas Inlet	Total BTU	Weight
ARE-MBG-36	49"	36"	1-1/4"	400000	
ARE-MBG-42	55"	42"	1-1/4"	467,000	
ARE-MBG-48	61"	48"	1-1/4"	587000	
ARE-MBG-54	67"	54"	1-1/4"		
ARE-MBG-60	73"	60"	1-1/4"		



Optional Features:

- Stainless steel grease drip pans
- Casters
- Quick disconnect

Type of Gas: Specify when order

- Natural Gas
 Liquid Propane Gas

* If elevation above 2000 ft., Specify _____ ft.

Manifold Pressure:

- Natural Gas - 5.0 W.C.
 Liquid Propane Gas - 10.0 W.C.

AllStrong Restaurant Equipment, Inc.
 1839 N Durfee Ave.
 South El Monte, CA 91733
 www.allstrong.com



Due to our continuous product development and improvement, specification, material, dimension & price are subject to change without notice.

Tel: (626)448-7878
 (800)933-8913
 Fax: (626)448-7838
 info@allstrong.com