

# Wall Mount Shelf SERIES

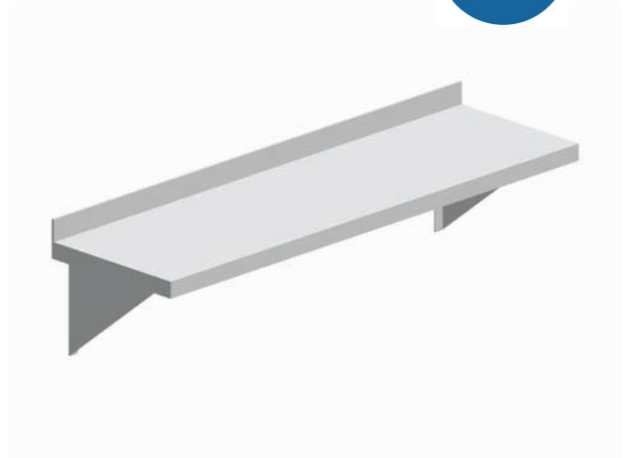
with Brackets

Revision Oct 2007

## Specifications:

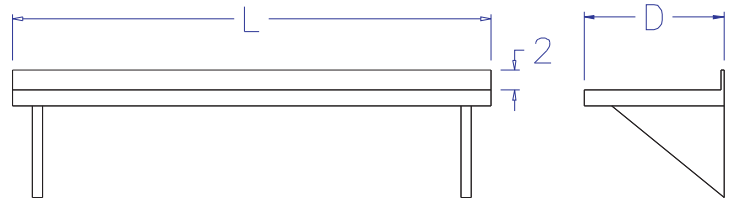
AllStrong Wall Mount Shelf is custom designed to meet various customers' choice for multiple usage in food service environment.

Shelves and brackets are constructed of stainless steel. Shelf top has 2" rear side turned-up, 1-1/2" turned-down on all three sides at 90° and back 1/2". If required, any sides could be turned up 2" upon request.



## Standard Features:

1. Shelf and brackets are made of stainless steel.
2. Rigid construction.



Model No.	Depth	Length	Description
WMS1236-C	12"	36"	<b>Wall Mount Shelf with Brackets -- Other lengths are available</b>
<b>WMS1436-C</b>	<b>14"</b>	<b>36"</b>	
WMS1636-C	16"	36"	
<b>WMS1836-C</b>	<b>18"</b>	<b>36"</b>	
WMS2036-C	20"	36"	
<b>WMS2436-C</b>	<b>24"</b>	<b>36"</b>	

If length is less than 36", consult factory for pricing.

AllStrong Restaurant Equipment, Inc.  
1839 N Durfee Ave.  
South El Monte, CA 91733  
www.allstrong.com



Due to our continuous product development and improvement, specification, material, dimension & price are subject to change without notice.

Tel: (626)448-7878  
(800)933-8913  
Fax: (626)448-7838  
info@allstrong.com

# Wall Mount Shelf SERIES

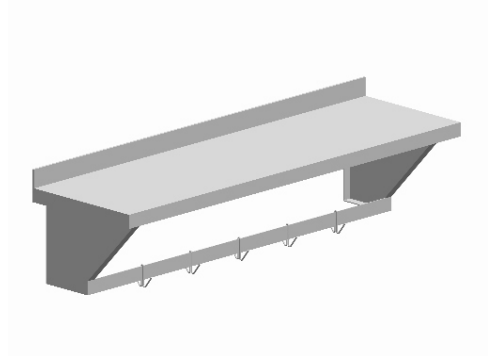
with Pot Racks

Revision Oct 2007

## Specifications:

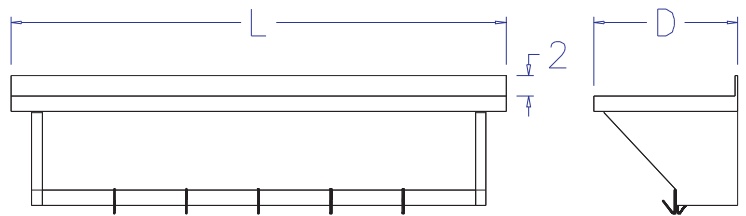
AllStrong Wall Mount Shelf custom designed meet various customers' choice for multiple uses mounting on wall at kitchen and warehouse, etc.

Shelf is constructed entirely of stainless steel. Three sides of top are formed down 1-1/2" at 90°, back 1/2" at 90° and rear side turned up 2". Pot rack rail is fully welded to brackets bottoms. Top sides could be turned up 2" upon request.



## Standard Features:

1. Top is made of stainless steel.
2. Brackets are made of stainless steel.
3. Double sides sliding pot hooks are furnished one per foot per rail.
4. Rigid construction.



Model No.	Depth	Length	Description
WMS1236-C	12"	36"	<b>Wall Mount Shelf with Pot Racks -- Other lengths are available</b>
<b>WMS1436-C</b>	<b>14"</b>	<b>36"</b>	
WMS1636-C	16"	36"	
<b>WMS1836-C</b>	<b>18"</b>	<b>36"</b>	
WMS2036-C	20"	36"	
<b>WMS2436-C</b>	<b>24"</b>	<b>36"</b>	

If length is less than 36", consult factory for pricing.

AllStrong Restaurant Equipment, Inc.  
1839 N Durfee Ave.  
South El Monte, CA 91733  
www.allstrong.com



Due to our continuous product development and improvement, specification, material, dimension & price are subject to change without notice.

Tel: (626)448-7878  
(800)933-8913  
Fax: (626)448-7838  
info@allstrong.com

# Wall Mount Shelf SERIES

## Single-Line Pot Racks

Revision Oct 2007

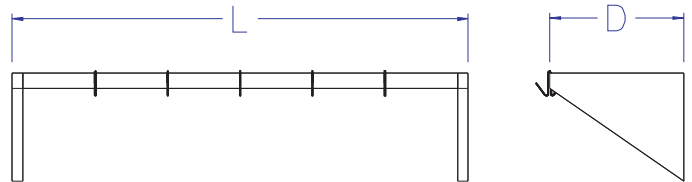
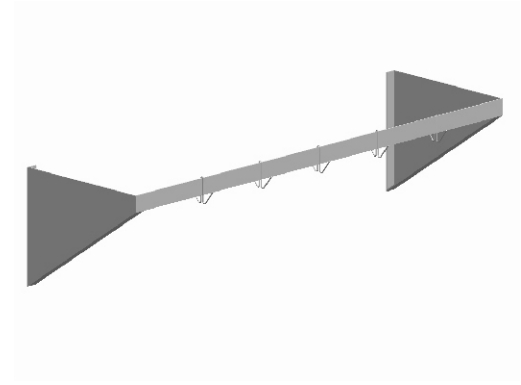
### Specifications:

AllStrong Wall Mount Pot Racks custom designed meet various customers choice to mount on wall at kitchen and warehouse, etc.

Pot racks is constructed entirely of stainless steel. Pot rack rail is fully welded to brackets.

### Standard Features:

1. Brackets are made of stainless steel.
2. Single line sliding pot hooks are furnished one per foot per rail.
3. Rigid construction.



Model No.	Depth	Length	Description
PR1236-C	12"	36"	Single-Line Pot Racks - - Other sizes are available
PR1248-C	12"	48"	
PR1260-C	12"	60"	
PR1272-C	12"	72"	

If length is less than 36", consult factory for pricing.

AllStrong Restaurant Equipment, Inc.  
1839 N Durfee Ave.  
South El Monte, CA 91733  
www.allstrong.com



Due to our continuous product development and improvement, specification, material, dimension & price are subject to change without notice.

Tel: (626)448-7878  
(800)933-8913  
Fax: (626)448-7838  
info@allstrong.com

# Wall Mount Shelf SERIES

## Double-Line Pot Racks

Revision Oct 2007

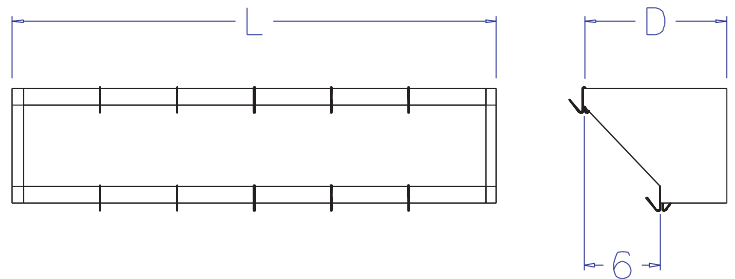
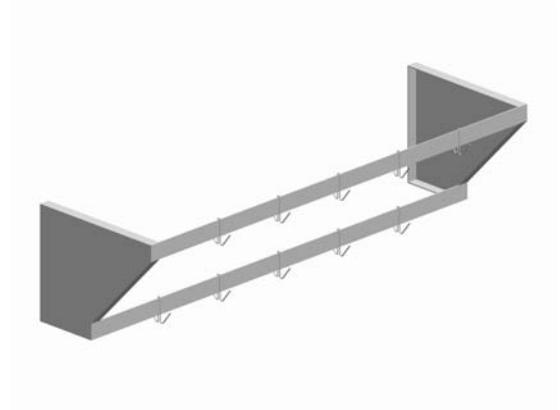
### Specifications:

AllStrong Wall Mount Pot Racks custom designed meet various customers choice to mount on wall at kitchen and warehouse, etc.

Pot racks is constructed entirely of stainless steel. Pot rack rail is fully welded to brackets.

### Standard Features:

1. Brackets are made of stainless steel.
2. Double-line sliding pot hooks are furnished one per foot per rail.
3. Rigid construction.



Model No.	Depth	Length	Description
PR1236-C	12"	36"	<b>Double-Line Pot Racks</b> -- Other sizes are available
PR1248-C	12"	48"	
PR1260-C	12"	60"	
PR1272-C	12"	72"	

If length is less than 36", consult factory for pricing.

AllStrong Restaurant Equipment, Inc.  
1839 N Durfee Ave.  
South El Monte, CA 91733  
www.allstrong.com



Due to our continuous product development and improvement, specification, material, dimension & price are subject to change without notice.

Tel: (626)448-7878  
(800)933-8913  
Fax: (626)448-7838  
info@allstrong.com