

Work Table SERIES

with 1 Shelf

Revision Oct 2007

Custom Stainless Steel Work Tables with 1 Shelf (2 Tiers)



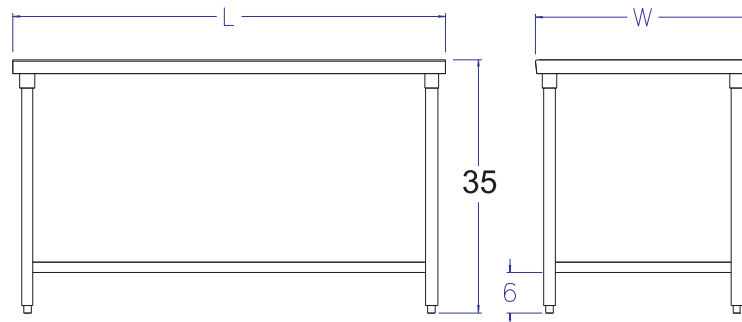
Specifications:

AllStrong Work Tables custom designed meet various customers' choices for multiple uses at restaurant, market and bakery, etc.

The top is made of stainless steel with all edges flanged 2" down and supported on stainless steel round tubing legs. The undershelf is made of stainless steel or galvanized steel with edges flanges 1-1/2" down.

Standard Features:

- 1.The top is constructed of stainless steel.
- 2.The undershelf is constructed of stainless steel.
- 3.Legs are diameter 1-5/8" stainless steel tubing.
- 4.Overall height is to 35".



* Other custom sizes are available, please contact factory for options.

AllStrong Restaurant Equipment, Inc.
1839 N Durfee Ave.
South El Monte, CA 91733
www.allstrong.com



Due to our continuous product development and improvement, specification, material, dimension & price are subject to change without notice.

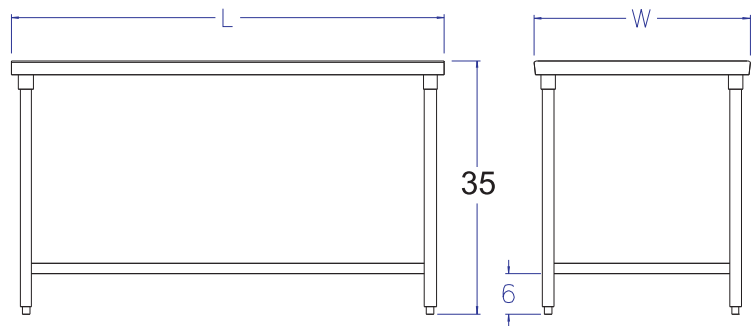
Tel: (626)448-7878
(800)933-8913
Fax: (626)448-7838
info@allstrong.com

Work Table SERIES

with 1 Shelf

Revision Oct 2007

Custom Stainless Steel Work Tables with 1 Shelf (2 Tiers)



Model No.	Depth	Length	Height
WT2424-C	24"	24"	35"
WT2430-C	24"	30"	35"
WT2436-C	24"	36"	35"
WT2448-C	24"	48"	35"
WT2460-C	24"	60"	35"
WT2472-C	24"	72"	35"
WT2484-C	24"	84"	35"
WT2496-C	24"	96"	35"

Model No.	Depth	Length	Height
WT3018-C	30"	18"	35"
WT3030-C	30"	30"	35"
WT3036-C	30"	36"	35"
WT3048-C	30"	48"	35"
WT3060-C	30"	60"	35"
WT3072-C	30"	72"	35"
WT3084-C	30"	84"	35"
WT3096-C	30"	96"	35"

* Other custom sizes are available, please contact factory for options.

AllStrong Restaurant Equipment, Inc.
1839 N Durfee Ave.
South El Monte, CA 91733
www.allstrong.com



Due to our continuous product development and improvement, specification, material, dimension & price are subject to change without notice.

Tel: (626)448-7878
(800)933-8913
Fax: (626)448-7838
info@allstrong.com

Work Table SERIES

with 1 Shelf & Backsplash

Revision Oct 2007

Custom Stainless Steel Work Tables with 1 Shelf & 4" Backsplash (2 Tiers)



Specifications:

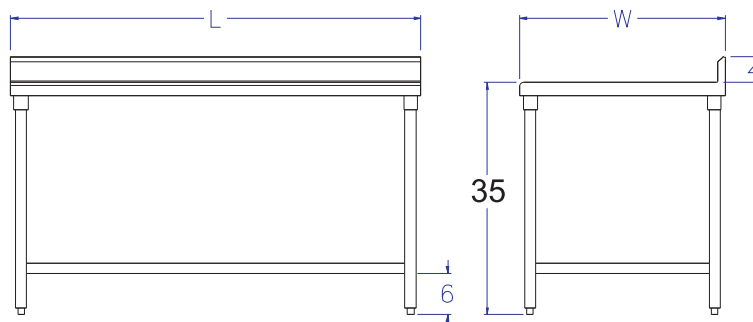
AllStrong Work Tables custom designed meet various customers' choices for multiple uses at restaurant, market and bakery, etc.

The top is made of stainless steel with three sides flanged 2" down, one side formed backsplash 3" height with 1" bended back at 45° and 3/4" down. It is supported on stainless steel round tubing legs. The undershelf is made of stainless steel or galvanized steel with edges flanges 1-1/2" down.



Standard Features:

1. The top is constructed of stainless steel.
2. The undershelf is constructed of stainless steel.
3. Legs are diameter 1-5/8" stainless steel tubing.
4. Overall height is to 35".



* Other custom sizes are available, please contact factory for options.

AllStrong Restaurant Equipment, Inc.
1839 N Durfee Ave.
South El Monte, CA 91733
www.allstrong.com



Due to our continuous product development and improvement, specification, material, dimension & price are subject to change without notice.

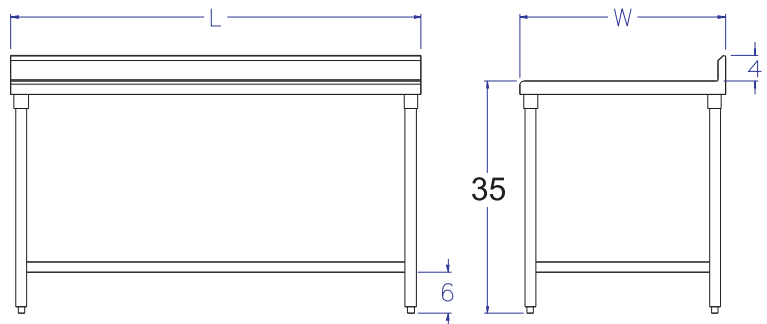
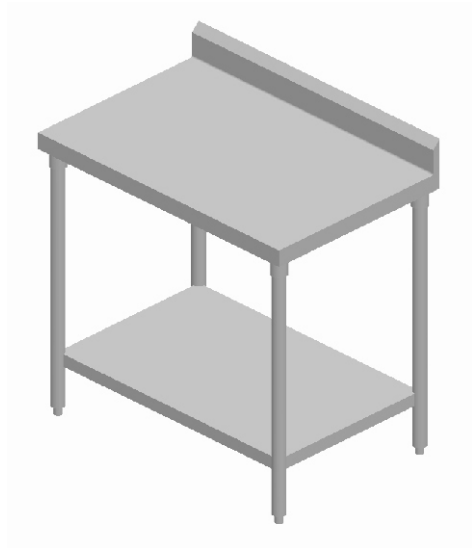
Tel: (626)448-7878
(800)933-8913
Fax: (626)448-7838
info@allstrong.com

Work Table SERIES

with 1 Shelf & Backsplash

Revision Oct 2007

Custom Stainless Steel Work Tables with 1 Shelf & 4" Backsplash (2 Tiers)



Model No.	Depth	Length	Height
WT2424-C	24"	24"	35"
WT2430-C	24"	30"	35"
WT2436-C	24"	36"	35"
WT2448-C	24"	48"	35"
WT2460-C	24"	60"	35"
WT2472-C	24"	72"	35"
WT2484-C	24"	84"	35"
WT2496-C	24"	96"	35"

Model No.	Depth	Length	Height
WT3018-C	30"	18"	35"
WT3030-C	30"	30"	35"
WT3036-C	30"	36"	35"
WT3048-C	30"	48"	35"
WT3060-C	30"	60"	35"
WT3072-C	30"	72"	35"
WT3084-C	30"	84"	35"
WT3096-C	30"	96"	35"

* Other custom sizes are available, please contact factory for options.

AllStrong Restaurant Equipment, Inc.
1839 N Durfee Ave.
South El Monte, CA 91733
www.allstrong.com



Due to our continuous product development and improvement, specification, material, dimension & price are subject to change without notice.

Tel: (626)448-7878
(800)933-8913
Fax: (626)448-7838
info@allstrong.com